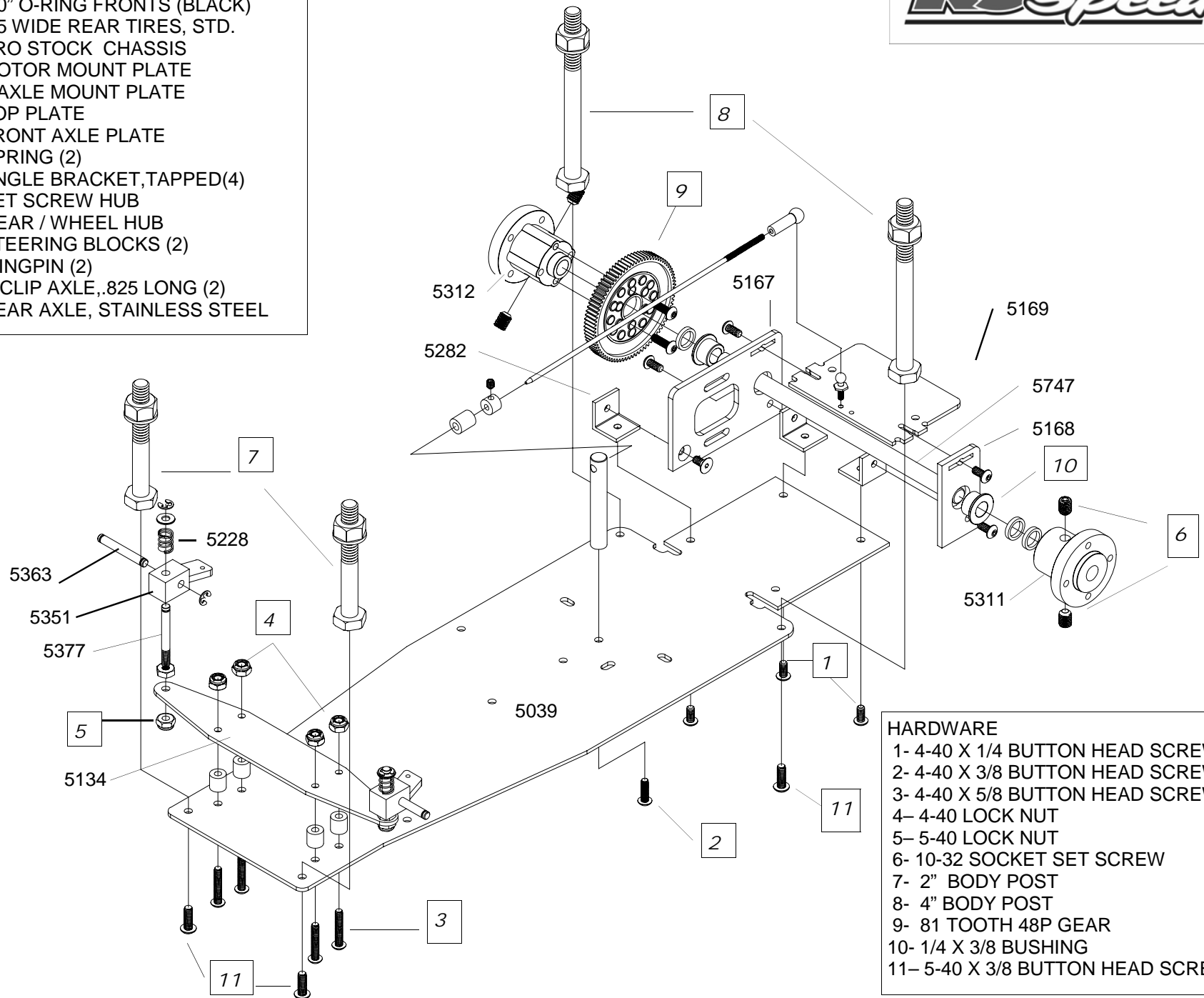




2001 PRO STOCK KIT

- 1002 PRO STOCK BODY WITH WING
- 2502 2.0" O-RING FRONTS (BLACK)
- 2510 1.5 WIDE REAR TIRES, STD.
- 5039 PRO STOCK CHASSIS
- 5167 MOTOR MOUNT PLATE
- 5168 L.AXLE MOUNT PLATE
- 5169 TOP PLATE
- 5134 FRONT AXLE PLATE
- 5228 SPRING (2)
- 5282 ANGLE BRACKET, TAPPED(4)
- 5311 SET SCREW HUB
- 5312 GEAR / WHEEL HUB
- 5351 STEERING BLOCKS (2)
- 5377 KINGPIN (2)
- 5363 E-CLIP AXLE, .825 LONG (2)
- 5747 REAR AXLE, STAINLESS STEEL



HARDWARE

- 1- 4-40 X 1/4 BUTTON HEAD SCREW
- 2- 4-40 X 3/8 BUTTON HEAD SCREW
- 3- 4-40 X 5/8 BUTTON HEAD SCREW
- 4- 4-40 LOCK NUT
- 5- 5-40 LOCK NUT
- 6- 10-32 SOCKET SET SCREW
- 7- 2" BODY POST
- 8- 4" BODY POST
- 9- 81 TOOTH 48P GEAR
- 10- 1/4 X 3/8 BUSHING
- 11- 5-40 X 3/8 BUTTON HEAD SCREW